

GXS Snap-in Type, 105°C Down sized

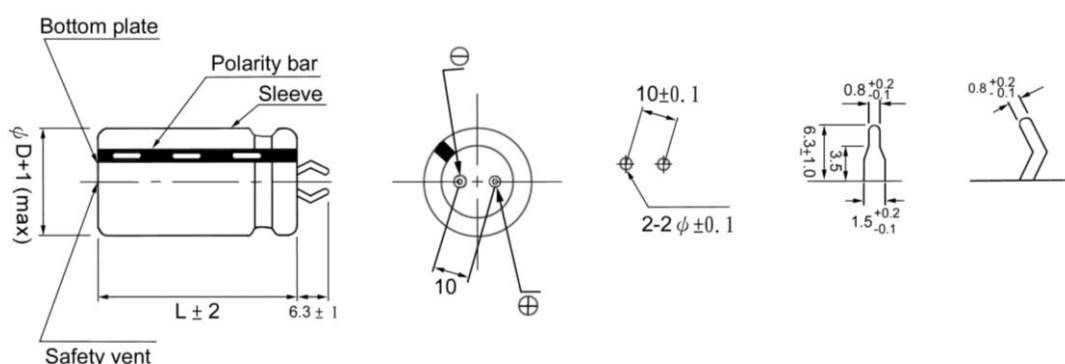
- Smaller size than GHS series
- Rated voltage range : 160 ~ 450V
- Capacitance range : 100 ~ 3,300 μ F
- Life guaranteed 2,000 hours/105°C.
- RoHS compliant/Non-solvent proof type



Specifications

Item	Performance Characteristics			
Operating Temperature range	-25 ~ +105°C			
Rated Voltage Range	160V ~ 450V			
Capacitance Range	100 ~ 3,300 μ F			
Capacitance Tolerance	$\pm 20\%$ / M (120Hz, 20°C)			
Leakage Current	$I \leq 3 \sqrt{CV}$ after 5 minutes application of rated voltage. C: Capacitance (μ F), V: Working voltage (v)			
Dissipation Factor (120 Hz, 20°C)	Rated voltage (V)	160 ~ 250V	315 ~ 400V	450V
	Tan δ (max.)	0.15	0.15	0.20
Low Temperature Characteristics (120 Hz)	Impedance Ratio / Stability at Low Temperature			
	Rated voltage (V)	160 ~ 400V	315 ~ 400V	450V
	Z (-25°C) / Z (20°C)	4	8	8
Load Life	After 2,000 hours application of WV & rated ripple current at 105°C, the tested capacitor shall meet the characteristics requirement mentioned below.			
	Capacitance change	Within $\pm 20\%$ of initial value		
	Tan δ	200% or less of initial specified value		
	Leakage current	Initial specified value or less		
Shelf Life	After stored at 105°C, no voltage applied for 1,000 hours, the capacitor shall meet the characteristics requirement below.			
	Capacitance change	Within $\pm 15\%$ of initial value		
	Tan δ	150% or less of initial specified value		
	Leakage current	Initial specified value or less		

Dimension (mm)



Frequency coefficient of allowable ripple current

Frequency (Hz)	50/60	120	300	1K	10K	50 K
160 ~ 250V	0.81	1.00	1.17	1.32	1.45	1.50
315 ~ 450V	0.77	1.00	1.16	1.30	1.41	1.43

• Standard Products Table

WV. DC Cap.(μ F)	160V		180V		200V	
	Size (D x L mm)	Ripple current Arms/105° 120 Hz	Size (D x L mm)	Ripple current Arms/105°C, 120 Hz	Size (D x L mm)	Ripple current Arms/105°C, 120 Hz
470			22 x 25	1.45		
560	22 x 25	1.58	22 x 30	1.66	22 x 30	1.66
560				3.33	25 x 25	1.56
680	22 x 30	1.83	22 x 35	1.87	22 x 35	1.87
680			25 x 25	1.72	25 x 30	1.77
820	22 x 35	2.06	22 x 40	2.11	22 x 40	2.11
820	25 x 25	1.89	25 x 30	1.94	25 x 35	2.03
1000	22 x 40	2.33	22 x 45	2.38	22 x 50	2.45
1000	25 x 30	2.15	25 x 35	2.24	25 x 40	2.30
1000	30 x 25	1.90	30 x 25	1.90	30 x 30	1.95
1200	22 x 45	2.61	22 x 50	2.69	25 x 45	2.58
1200	22 x 50	2.69	25 x 40	2.52	30 x 35	2.23
1200	25 x 35	2.45	30 x 30	2.14	35 x 25	1.94
1500	25 x 45	2.88	25 x 45	2.88	25 x 50	2.94
1500	30 x 30	2.39	25 x 50	2.94	30 x 40	2.58
1500	35 x 25	2.17	30 x 35	2.49	35 x 30	2.25
1800	25 x 50	3.22	30 x 40	2.82	30 x 45	2.92
1800	30 x 35	2.73	35 x 30	2.47	35 x 35	2.53
2200	30 x 45	3.23	30 x 50	3.31	30 x 50	3.31
2200	35 x 35	2.79	35 x 40	2.92	35 x 40	2.92
2700	30 x 50	3.66	35 x 45	3.33	35 x 45	3.33
2700	35 x 40	3.23				
3300	35 x 45	3.68				

WV. DC Cap.(μ F)	250V		315V		350V	
	Size (D x L mm)	Ripple current Arms/105° 120 Hz	Size (D x L mm)	Ripple current Arms/105°C, 120 Hz	Size (D x L mm)	Ripple current Arms/105°C, 120 Hz
150					22 x 25	0.84
180			22 x 25	0.91		
220			22 x 30	1.06	22 x 30	1.06
220					25 x 25	1.04
270			22 x 35	1.20	22 x 35	1.20
270			25 x 45	1.15	25 x 30	1.18
330	22 x 25	1.21	22 x 40	1.37	22 x 45	1.40
330			25 x 30	1.30	25 x 35	1.36
390	22 x 30	1.38	22 x 45	1.52	22 x 50	1.56
390			25 x 35	1.48	25 x 40	1.52
470	22 x 35	1.56	22 x 50	1.72	25 x 45	1.71
470			25 x 40	1.67	30 x 40	1.67
560	22 x 40	1.74	25 x 45	1.86	25 x 50	1.90
560	25 x 30	1.61	30 x 35	1.78	30 x 40	1.84
680	22 x 45	1.97	25 x 50	2.10	30 x 45	2.10
680	25 x 35	1.85	30 x 40	2.03	35 x 35	1.94
820	25 x 40	2.08	30 x 45	2.31	30 x 50	2.36
820	25 x 45	2.13	35 x 35	2.13	35 x 40	2.23
1000	25 x 50	2.40	30 x 50	2.61	35 x 45	2.54
1000	30 x 35	2.03	35 x 40	2.46		
1200	30 x 40	2.31	35 x 45	2.78	35 x 50	2.86
1200	30 x 45	2.38	35 x 50	2.86		

• Standard Products Table

WV. DC Cap.(μ F)	400V		420V		450V	
	Size (D x L mm)	Ripple current Arms/105° 120 Hz	Size (D x L mm)	Ripple current Arms/105°C, 120 Hz	Size (D x L mm)	Ripple current Arms/105°C, 120 Hz
100					22 x 25	0.71
120	22 x 25	0.75	35 x 50	0.78	22 x 30	0.82
150			22 x 30	0.91	22 x 35	0.94
150			25 x 25	0.89	25 x 25	0.89
180	22 x 30	0.96	22 x 35	1.03	22 x 40	1.05
180	25 x 25	0.94	25 x 30	1.00	25 x 30	1.00
220	22 x 35	1.09	22 x 45	1.19	22 x 45	1.19
220	25 x 30	1.07	25 x 35	1.16	25 x 35	1.16
270	22 x 40	1.24	22 x 50	1.36	22 x 50	1.36
270	22 x 45	1.26	25 x 40	1.32	25 x 45	1.35
270	25 x 34	1.23	30 x 30	1.26	30 x 30	1.26
330	22 x 50	1.44	25 x 45	1.49	25 x 50	1.52
330	25 x 40	1.40	30 x 35	1.45	30 x 35	1.45
330	30 x 30	1.31			35 x 30	1.45
390	25 x 45	1.55	25 x 50	1.66	30 x 40	1.63
390	30 x 35	1.49	30 x 40	1.63		
470	25 x 50	1.74	30 x 45	1.85	30 x 45	1.85
470	30 x 40	1.69	35 x 35	1.77	30 x 50	1.90
470	35 x 30	1.58			35 x 35	1.77
560	30 x 45	1.91	30 x 50	2.07	35 x 40	2.02
560	35 x 35	1.76	35 x 40	2.02	35 x 45	2.08
680	30 x 50	2.15	35 x 45	2.29	35 x 50	2.36
680	35 x 40	2.03				
820	35 x 45	2.30	35 x 50	2.59		
820	35 x 50	2.37				
1000	35 x 50	2.50				