

## GWX Screw terminal, 105°C Long Life

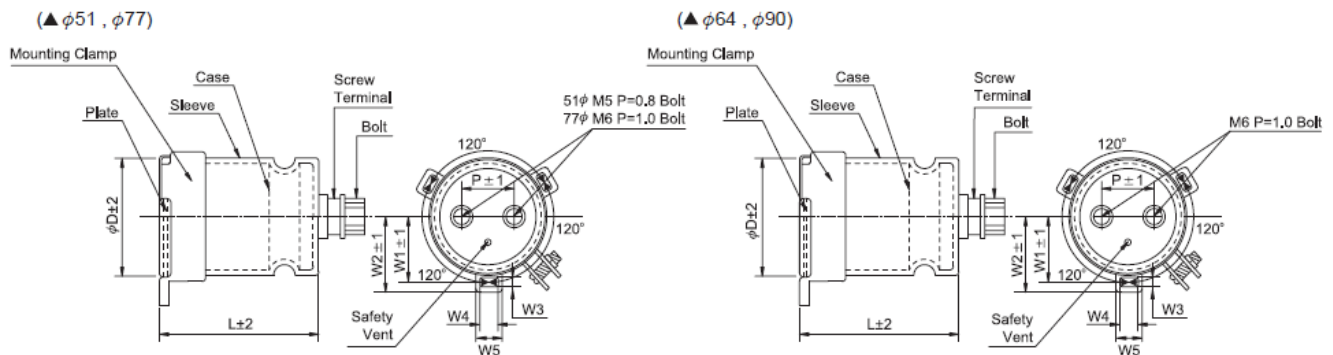
- Designed with high ripple current & reliability.
- Voltage range: 200 ~ 450V
- Capacitance range: 680 ~ 33,000  $\mu\text{F}$
- Life guaranteed 5,000 hours/105°C.



### • Specifications

Item	Performance Characteristics					
Operating Temperature range	-40 + 105°C					
Rated Voltage	200V ~ 450V					
Capacitance Range	680 ~ 33,000 $\mu\text{F}$					
Capacitance Tolerance	$\pm 20\%$ (120Hz, 20°C)					
Leakage Current	$I \leq 0.02CV$ or 5 mA, whichever is greater after 5 minutes application of rated voltage.					
Dissipation Factor 120 Hz, 20°C	Rated voltage (V)	200	250	350	400	450
	Tan $\delta$	0.20	0.20	0.15	0.15	0.15
Temperature Characteristics (120 Hz)	Impedance Ratio / Stability at Low Temperature					
	Rated voltage (V)	200	250	350	400	450
	Z (-25°C) / Z (20°C)	8	8	8	8	8
Load Life	After 5,000 hours application of WV and ripple current at 105°C, capacitor shall meet the characteristics requirements mentioned below.					
	Capacitance change	Within $\pm 20\%$ of initial value				
	Tan $\delta$	$\leq 200\%$ of initial specified value				
	Leakage current	$\leq$ Initial specified value				
Shelf Life	Stored at 105°C with no voltage applied for 1,000 hours, the tested capacitor shall meet the specification above as load life. (With voltage treatment)					

### • Dimension (mm)



D $\phi$	W <sub>1</sub>	W <sub>2</sub>	W <sub>3</sub>	W <sub>4</sub>	W <sub>5</sub>	P
51	32.5	37.5	4.5	7.0	13.0	22.0
64	38.5	42.8	4.5	7.0	13.0	28.5
77	44.8	49.0	4.5	7.0	13.0	32.0
90	52.3	58.8	5.0	8.0	16.0	32.0

### • Frequency coefficient of allowable ripple current

Frequency	60 Hz	120 Hz	300 Hz	1 KHz	$\geq 10$ KHz
Multiplier	0.70	1.00	1.10	1.30	1.40

### • Allowable ripple vs. Ambient temperature

Ambient Temp. (°C)	40	60	85	105
Compensating Coefficient	2.44	2.16	2.00	1.00

## ● Standard Products Table

Dφ x L (mm)

WV(SV) Cap (μF)	200 (250)		250 (300)		350 (400)	
1000					51 x 75	3.06
1200					51 x 75	3.35
1500			51 x 80	2.41	51 x 96	4.17
1800					51 x 96	4.57
2200	51 x 80	2.92	51 x 100	3.21	51 x 130	5.78
2700					64 x 96	6.00
3300	51 x 100	3.94	64 x 100	4.47	64 x 115	7.18
3900					64 x 130	8.24
4700	64 x 100	5.13	64 x 121	5.80	64 x 155	9.79
					77 x 115	8.95
5600					64 x 195	11.17
					77 x 130	10.30
6800	64 x 121	6.71	77 x 121	7.15	77 x 155	12.27
8200					90 x 157	13.86
10000	77 x 121	8.31	90 x 145	9.39	90 x 157	15.31
12000					90 x 196	18.50
15000	77 x 144	10.98	90 x 171	12.36	90 x 236	22.50
22000	90 x 145	11.40	90 x 236	17.30		
33000	90 x 236	17.34			Case size	Ripple

WV(SV) Cap (μF)	400 (450)		450 (500)	
1000	51 x 75	3.40	51 x 96	4.25
1200	51 x 96	4.14	51 x 115	5.05
1500	51 x 115	5.02	51 x 130	5.97
1800	51 x 130	5.81	64 x 96	6.20
2200	51 x 130	6.43	64 x 115	7.41
	64 x 96	6.22		
2700	64 x 115	7.45	64 x 130	8.67
			77 x 115	8.69
3300	64 x 130	8.69	64 x 155	10.37
			77 x 130	10.14
3900	64 x 155	10.23	64 x 195	12.53
			77 x 115	
4700	64 x 195	12.47	77 x 155	13.07
	77 x 130	10.62		
5600	64 x 195	13.61	77 x 195	15.82
	77 x 155	12.53	90 x 157	14.89
6800	90 x 157	14.73	90 x 196	18.10
8200	90 x 157	16.17	90 x 196	19.88
10000	90 x 196	19.70	90 x 236	23.88
12000	90 x 236	23.48	Case size	Ripple

Allowable ripple current (A rms) at 105°C 120Hz