

## GWM Screw terminal, 85°C Long Life

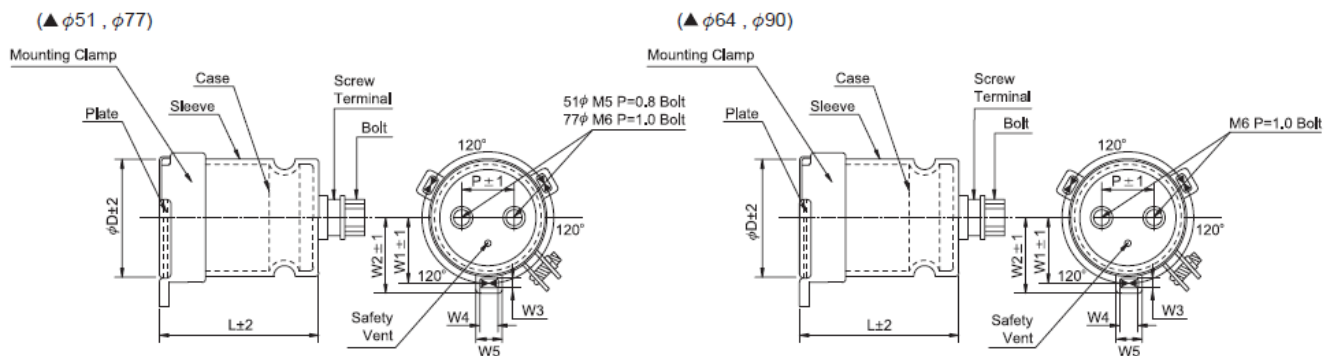


- Designed with high ripple current & reliability
- Voltage range: 350 ~ 450V
- Capacitance range: 1,000 ~ 18,000  $\mu\text{F}$
- Life guaranteed 5,000 hours/85°C.

### • Specifications

Item	Performance Characteristics			
Operating Temperature range	-40 + 85°C			
Rated Voltage	350V ~ 450V			
Capacitance Range	1,000 ~ 18,000 $\mu\text{F}$			
Capacitance Tolerance	$\pm 20\%$ (120Hz, 20°C)			
Leakage Current	$I \leq 0.02CV$ or 5 mA, whichever is greater after 5 minutes application of rated voltage.			
Dissipation Factor 120 Hz, 20°C	Rated voltage (V)	350	400	450
	Tan $\delta$	0.15	0.15	0.15
Temperature Characteristics (120 Hz)	Impedance Ratio / Stability at Low Temperature			
	Rated voltage (V)	350	400	450
	Z (-25°C) / Z (20°C)	8	8	8
Load Life	After 5,000 hours application of WV and ripple current at 85°C, capacitor shall meet the characteristics requirements mentioned below.			
	Capacitance change	Within $\pm 20\%$ of initial value		
	Tan $\delta$	$\leq 200\%$ of initial specified value		
	Leakage current	$\leq$ Initial specified value		
Shelf Life	Stored at 85°C with no voltage applied for 1,000 hours, the tested capacitor shall meet the specification above as load life. (With voltage treatment)			

### • Dimension (mm)



D $\phi$	W <sub>1</sub>	W <sub>2</sub>	W <sub>3</sub>	W <sub>4</sub>	W <sub>5</sub>	P
51	32.5	37.5	4.5	7.0	13.0	22.0
64	38.5	42.8	4.5	7.0	13.0	28.5
77	44.8	49.0	4.5	7.0	13.0	32.0
90	52.3	58.8	5.0	8.0	16.0	32.0

### • Frequency coefficient of allowable ripple current

Frequency	60 Hz	120 Hz	300 Hz	1 KHz	$\geq 10$ KHz
Multiplier	0.70	1.00	1.10	1.30	1.40

### • Allowable ripple vs. Ambient temperature

Ambient Temp. (°C)	40	60	85
Compensating Coefficient	1.89	1.67	1.00

● Standard Products Table

Dφ x L (mm)

WV(SV) Cap (μF)	350 (400)		400 (450)		450 (500)	
1000			51 x 75	4.76	51 x 75	4.99
1200	51 x 75	5.21	51 x 75	5.21	51 x 96	6.09
1500	51 x 75	5.82	51 x 96	6.48	51 x 115	7.38
1800	51 x 96	7.10	51 x 96	7.10	51 x 130	8.54
2200	51 x 96	7.85	51 x 130	8.99	64 x 96	8.93
2700	51 x 130	9.97	64 x 96	9.64	64 x 115	10.69
3300	51 x 130	11.02	64 x 115	11.53	64 x 130	12.48
3900	64 x 115	12.53	64 x 130	13.23	64 x 155	14.68
					77 x 115	13.56
4700	64 x 130	14.53	64 x 155	15.72	64 x 195	17.91
			77 x 115	14.10	77 x 130	15.69
5600	64 x 155	17.16	64 x 195	19.06	77 x 155	18.51
	77 x 115	15.39	77 x 130	16.23		
6800	64 x 195	21.00	77 x 155	19.33	90 x 157	21.21
	77 x 130	17.88				
8200	77 x 155	21.22	90 x 157	22.64	90 x 157	23.29
10000	90 x 157	25.00	90 x 157	25.00	90 x 196	28.37
12000	90 x 157	27.39	90 x 196	30.22	90 x 236	33.80
15000	90 x 196	33.78	90 x 236	36.74		
18000	90 x 236	40.25			Case size	Ripple

Allowable ripple current (A rms) at 85°C 120Hz