

GWF Screw terminal, 85°C Long Life

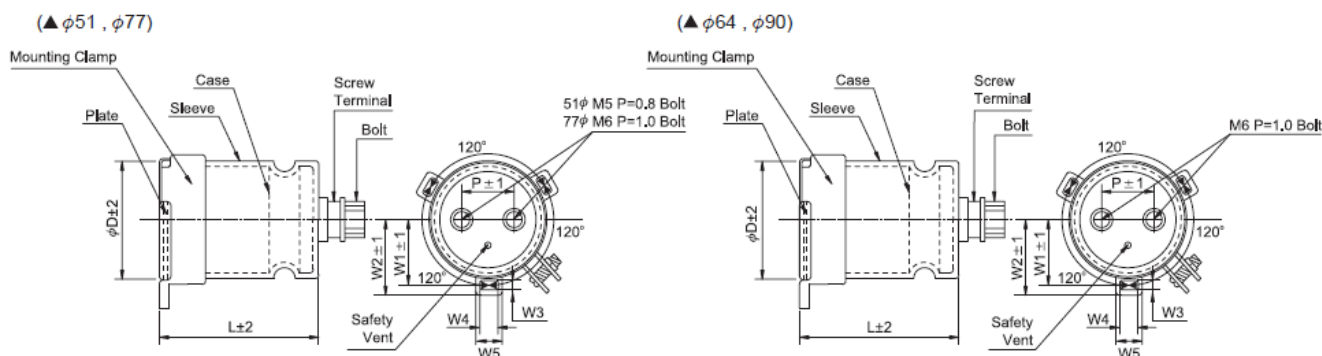
- High ripple current & reliability for industrial application.
- Voltage range: 350 ~ 450V
- Capacitance range: 1,000 ~ 15,000 μF
- Life guaranteed 10,000 hours/85°C.



• Specifications

Item	Performance Characteristics			
Operating Temperature range	-40 + 85°C			
Rated Voltage	350V ~ 450V			
Capacitance Range	1,000 ~ 15,000 μF			
Capacitance Tolerance	$\pm 20\%$ (120Hz, 20°C)			
Leakage Current	$I \leq 0.02CV$ or 5 mA, whichever is greater after 5 minutes application of rated voltage.			
Dissipation Factor 120 Hz, 20°C	Rated voltage (V)	350	400	450
	Tan δ	0.15	0.15	0.15
Temperature Characteristics (120 Hz)	Impedance Ratio / Stability at Low Temperature			
	Rated voltage (V)	350	400	450
	Z (-25°C) / Z (20°C)	8	8	8
Load Life	After 10,000 hours application of WV and ripple current at 85°C, capacitor shall meet the characteristics requirements mentioned below.			
	Capacitance change	Within $\pm 20\%$ of initial value		
	Tan δ	$\leq 200\%$ of initial specified value		
	Leakage current	\leq Initial specified value		
Shelf Life	Stored at 85°C with no voltage applied for 1,000 hours, the tested capacitor shall meet the specification above as load life. (With voltage treatment)			

• Dimension (mm)



D ϕ	W ₁	W ₂	W ₃	W ₄	W ₅	P
51	32.5	37.5	4.5	7.0	13.0	22.0
64	38.5	42.8	4.5	7.0	13.0	28.5
77	44.8	49.0	4.5	7.0	13.0	32.0
90	52.3	58.8	5.0	8.0	16.0	32.0

• Frequency coefficient of allowable ripple current

Frequency	60 Hz	120 Hz	300 Hz	1 KHz	≥ 10 KHz
Multiplier	0.70	1.00	1.10	1.30	1.40

• Allowable ripple vs. Ambient temperature

Ambient Temp. (°C)	40	60	85
Compensating Coefficient	1.89	1.67	1.00

● Standard Products Table

Dφ x L (mm)

WV(SV) Cap (μF)	350 (400)		400 (450)		450 (500)	
1000	51 x 75	5.70	51 x 75	4.60	51 x 96	5.90
1200	51 x 75	6.30	51 x 96	5.60	51 x 115	7.00
1500	51 x 96	7.80	51 x 115	6.70	51 x 130	8.30
1800	51 x 96	8.50	51 x 130	7.80	51 x 96	8.70
2200	51 x 130	10.80	64 x 96	8.30	51 x 115	10.50
2700	64 x 96	11.50	64 x 115	9.90	64 x 130	12.20
					77 x 115	12.50
3300	64 x 115	13.70	64 x 130	11.60	64 x 155	14.60
					77 x 130	14.50
3900	64 x 130	15.80	64 x 155	13.60	64 x 195	17.70
			77 x 115	12.80		
4700	64 x 155	18.70	64 x 195	16.60	77 x 155	18.10
	77 x 115	17.60	77 x 130	14.90		
5600	64 x 195	22.00	64 x 195	17.60	77 x 195	21.90
	77 x 130	20.30	77 x 155	17.00	90 x 157	21.00
6800	77 x 155	23.40	90 x 157	19.80	90 x 196	25.40
8200	90 x 157	27.20	90 x 157	21.70	90 x 196	28.00
10000	90 x 157	30.00	90 x 196	25.50	90 x 236	32.40
12000	90 x 196	36.30	90 x 236	30.40		
15000	90 x 236	42.50			Case size	Ripple

Allowable ripple current (A rms) at 85°C 120Hz