

## GWE Screw terminal, 105°C Long Life

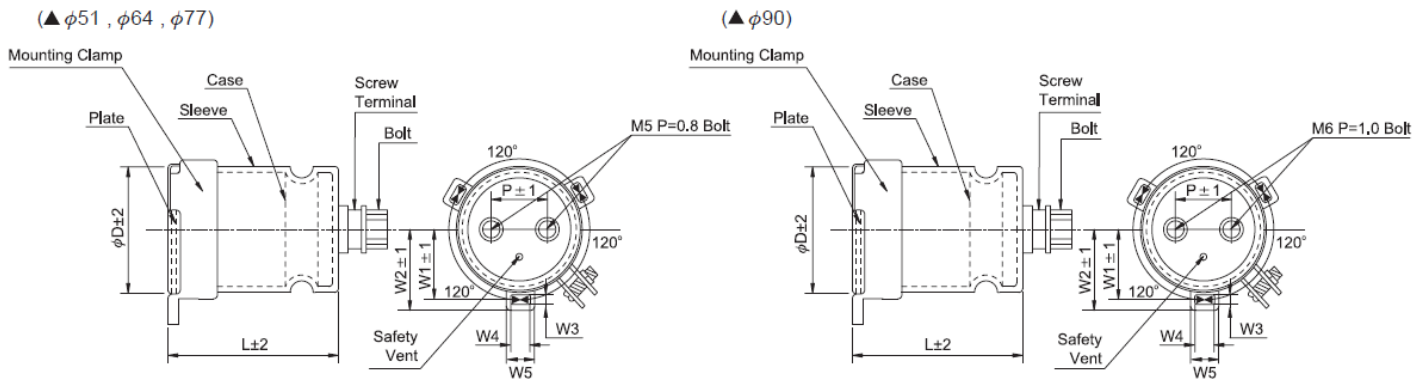


- High ripple current & reliability for industrial application.
- Voltage range: 350 ~ 450V
- Capacitance range: 1,000 ~ 33,000  $\mu\text{F}$
- Life guaranteed 10,000 hours/105°C.

### • Specifications

Item	Performance Characteristics			
Operating Temperature range	-40 + 105°C			
Rated Voltage	350V ~ 450V			
Capacitance Range	1,000 ~ 15,000 $\mu\text{F}$			
Capacitance Tolerance	$\pm 20\%$ (120Hz, 20°C)			
Leakage Current	$I \leq 0.02CV$ or 5 mA, whichever is greater after 5 minutes application of rated voltage.			
Dissipation Factor 120 Hz, 20°C	Rated voltage (V)	350	400	450
	Tan $\delta$	0.15	0.15	0.15
Temperature Characteristics (120 Hz)	Impedance Ratio / Stability at Low Temperature			
	Rated voltage (V)	350	400	450
	Z (-25°C) / Z (20°C)	8	8	8
Load Life	After 10,000 hours application of WV and ripple current at 105°C, capacitor shall meet the characteristics requirements mentioned below.			
	Capacitance change	Within $\pm 20\%$ of initial value		
	Tan $\delta$	$\leq 200\%$ of initial specified value		
	Leakage current	$\leq$ Initial specified value		
Shelf Life	Stored at 105°C with no voltage applied for 1,000 hours, the tested capacitor shall meet the specification above as load life. (With voltage treatment)			

### • Dimension (mm)



D $\phi$	W <sub>1</sub>	W <sub>2</sub>	W <sub>3</sub>	W <sub>4</sub>	W <sub>5</sub>	P
51	32.5	37.5	4.5	7.0	13.0	22.0
64	38.5	42.8	4.5	7.0	13.0	28.5
77	44.8	49.0	4.5	7.0	13.0	32.0
90	52.3	58.8	5.0	8.0	16.0	32.0

### • Frequency coefficient of allowable ripple current

Frequency	60 Hz	120 Hz	300 Hz	1 KHz	$\geq 10$ KHz
Multiplier	0.70	1.00	1.10	1.30	1.40

### • Allowable ripple vs. Ambient temperature

Ambient Temp. (°C)	40	60	85	105
Compensating Coefficient	2.44	2.16	2.00	1.00

● Standard Products Table

Dφ x L (mm)

WV(SV) Cap (μF)	350 (400)		400 (450)		450 (500)	
1000	51 x 75	5.60	51 x 75	5.60	51 x 96	6.20
1200	51 x 75	6.10	51 x 96	6.80	51 x 115	7.40
1500	51 x 96	7.60	51 x 115	8.20	51 x 130	8.70
1800	51 x 96	8.30	51 x 130	9.50	64 x 115	9.70
2200	51 x 130	10.50	64 x 96	9.70	64 x 115	10.70
2700	64 x 96	10.90	64 x 115	11.80	64 x 130	12.50
					77 x 115	12.70
3300	64 x 115	13.10	64 x 130	13.80	64 x 155	14.90
					77 x 130	14.80
3900	64 x 130	15.00	64 x 155	16.20	64 x 195	18.00
			77 x 115	15.30		
4700	64 x 155	17.80	64 x 195	19.80	77 x 155	19.10
	77 x 115	16.80	77 x 130	17.70		
5600	64 x 195	21.60	64 x 195	21.60	77 x 195	23.20
	77 x 130	19.30	77 x 155	20.90	90 x 157	21.50
6800	77 x 144	22.30	90 x 157	23.70	90 x 196	26.20
8200	90 x 157	26.10	90 x 157	26.10	90 x 196	28.80
10000	90 x 157	28.80	90 x 196	31.80	90 x 236	34.50
12000	90 x 196	34.80	90 x 236	37.80		
15000	90 x 236	42.30			Case size	Ripple

Allowable ripple current (A rms) at 105°C 120Hz