

GVS Snap-in Type, 105°C Longer Life

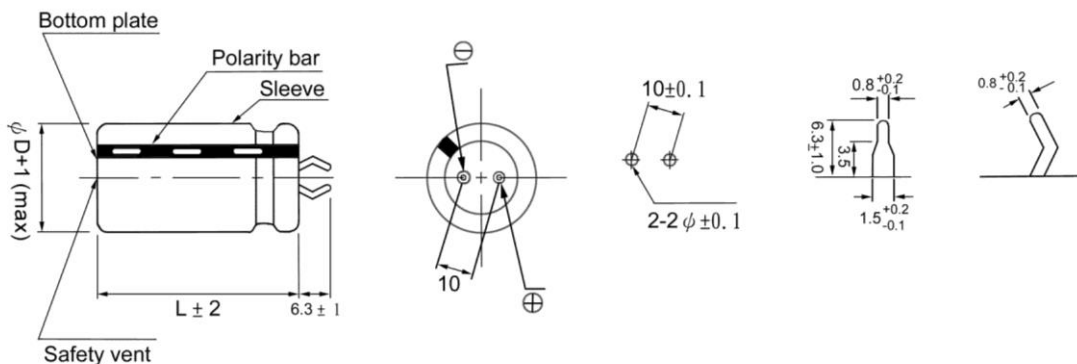


- Extended life than GHS series
- Rated voltage range : 160 ~ 450V
- Capacitance range : 100 ~ 3,300 μ F
- Life guaranteed 3,000 hours/105°C.
- RoHS compliant/Non-solvent proof type

• Specifications

Item	Performance Characteristics		
Operating Temperature range	-25 ~ +105°C		
Rated Voltage Range	160V ~ 450V		
Capacitance Range	100 ~ 3,300 μ F		
Capacitance Tolerance	$\pm 20\%$ / M (120Hz, 20°C)		
Leakage Current	$I \leq 3 \sqrt{CV}$ after 5 minutes application of rated voltage. C: Capacitance (μ F), V: Working voltage (v)		
Dissipation Factor (120 Hz, 20°C)	Rated voltage (V)	160 ~ 400	420 ~ 450
	Tan δ (max.)	0.15	0.20
Low Temperature Characteristics (120 Hz)	Impedance Ratio / Stability at Low Temperature		
	Rated voltage (V)	160 ~ 400	420 ~ 450
	Z (-25°C) / Z (20°C)	4	8
Load Life	After 3,000 hours application of WV & rated ripple current at 105°C, the tested capacitor shall meet the characteristics requirement mentioned below.		
	Capacitance change	Within $\pm 20\%$ of initial value	
	Tan δ	200% or less of initial specified value	
	Leakage current	Initial specified value or less	
Shelf Life	After stored at 105°C, no voltage applied for 1,000 hours, the capacitor shall meet the characteristics requirement below.		
	Capacitance change	Within $\pm 15\%$ of initial value	
	Tan δ	150% or less of initial specified value	
	Leakage current	Initial specified value or less	

• Dimension (mm)



• Frequency coefficient of allowable ripple current

Frequency (Hz)	50/60	120	300	1K	10K	50 K
160 ~ 250V	0.81	1.00	1.17	1.32	1.45	1.50
315 ~ 450V	0.77	1.00	1.16	1.30	1.41	1.43

• Standard Products Table

WV. DC Cap.(μF)	160V		180V		200V	
	Size (D x L mm)	Ripple current Arms/105° 120 Hz	Size (D x L mm)	Ripple current Arms/105°C, 120 Hz	Size (D x L mm)	Ripple current Arms/105°C, 120 Hz
220	22 x 20	0.81	25 x 20	0.90	25 x 20	0.85
270	25 x 20	0.98	22 x 25	1.00	22 x 25	1.10
330	22 x 25	1.20	22 x 25	1.20	22 x 30	1.25
330	25 x 20	1.02	25 x 25	1.16	25 x 25	1.25
390	22 x 25	1.30	22 x 30	1.35	22 x 30	1.35
390	25 x 25	1.26	25 x 25	1.35	25 x 25	1.35
470	22 x 30	1.55	22 x 35	1.50	22 x 35	1.50
470	25 x 25	1.55	25 x 30	1.50	25 x 30	1.50
560	22 x 35	1.67	22 x 40	1.67	22 x 40	1.67
560	25 x 30	1.67	25 x 30	1.67	25 x 30	1.67
680	22 x 40	1.82	22 x 45	1.78	22 x 45	1.78
680	25 x 30	1.82	25 x 35	1.78	25 x 35	1.78
820	22 x 45	2.04	22 x 50	2.04	25 x 45	2.04
820	25 x 35	2.04	25 x 40	2.04	30 x 30	2.04
820	30 x 30	2.04	30 x 30	2.04	35 x 25	2.04
1000	25 x 40	2.25	25 x 45	2.30	25 x 50	2.30
1000	30 x 30	2.25	30 x 35	2.30	30 x 35	2.30
1000	35 x 25	2.25	35 x 30	2.30	35 x 30	2.30
1200	25 x 45	2.49	25 x 50	2.55	25 x 60	2.65
1200	30 x 35	2.49	30 x 40	2.55	30 x 40	2.65
1200	35 x 30	2.49	35 x 30	2.55	35 x 35	2.65
1500	30 x 40	2.84	30 x 45	2.90	30 x 50	3.08
1500	35 x 30	2.84	35 x 35	2.90	35 x 40	3.08
1800	30 x 45	3.32	30 x 60	3.49	30 x 60	3.48
1800	35 x 35	3.00	35 x 40	3.30	35 x 45	3.48
2200	30 x 60	3.86	35 x 50	3.65	35 x 50	3.78
2700	35 x 50	4.00	35 x 60	4.19		
3300	35 x 60	4.63				

WV. DC Cap.(μF)	250V		315V		350V	
	Size (D x L mm)	Ripple current Arms/105° 120 Hz	Size (D x L mm)	Ripple current Arms/105°C, 120 Hz	Size (D x L mm)	Ripple current Arms/105°C, 120 Hz
100			22 x 25	0.61	22 x 25	0.69
120			22 x 25	0.75	22 x 30	0.75
150			22 x 30	0.82	22 x 35	0.82
150			25 x 25	0.82	25 x 30	0.83
180			22 x 35	0.92	22 x 40	0.92
180			25 x 25	0.92	25 x 30	0.92
220	22 x 25	1.00	22 x 40	1.04	22 x 45	1.05
220	25 x 25	0.95	25 x 30	1.04	25 x 35	1.04
270	22 x 30	1.18	22 x 45	1.16	22 x 50	1.16
270	25 x 25	1.18	25 x 35	1.16	25 x 40	1.18
330	22 x 35	1.30	22 x 50	1.33	25 x 45	1.29
330	25 x 30	1.30	25 x 40	1.33	30 x 35	1.34
390	22 x 40	1.49	25 x 45	1.47	25 x 50	1.51
390	25 x 35	1.49	30 x 35	1.47	30 x 40	1.51
470	22 x 45	1.65	25 x 50	1.70	25 x 60	1.66
470	25 x 35	1.65	30 x 40	1.70	30 x 45	1.65
470	30 x 30	1.65	35 x 30	1.70	35 x 35	1.69
560	22 x 50	1.67	30 x 45	2.05	30 x 50	1.85
560	25 x 40	1.80	35 x 35	2.05	35 x 40	1.90
680	25 x 50	2.00	30 x 50	2.17	30 x 60	2.15
680	30 x 35	2.00	35 x 40	2.17	35 x 50	1.99
820	25 x 60	2.20	35 x 45	2.20	35 x 60	2.31
820	30 x 40	2.30				
1000	30 x 50	2.47	35 x 60	2.55		
1000	35 x 40	2.47				
1200	35 x 45	2.60				
1500	35 x 50	3.00				
1800	35 x 60	3.42				

• Standard Products Table

WV. DC Cap.(μ F)	400V		420V		450V	
	Size (D x L mm)	Ripple current Arms/105° 120 Hz	Size (D x L mm)	Ripple current Arms/105°C, 120 Hz	Size (D x L mm)	Ripple current Arms/105°C, 120 Hz
100	22 x 30	0.70	22 x 30	0.70	22 x 35	0.69
100	25 x 25	0.70	25 x 25	0.70	25 x 30	0.69
120	22 x 35	0.75	22 x 35	0.75	22 x 40	0.80
120	25 x 25	0.75	25 x 30	0.75	25 x 30	0.80
150	22 x 40	0.88	22 x 40	0.88	22 x 45	0.88
150	25 x 30	0.88	25 x 35	0.88	25 x 35	0.88
180	22 x 45	0.98	22 x 45	0.95	22 x 50	1.00
180	25 x 35	0.98	25 x 35	0.95	25 x 40	1.00
180	30 x 30	0.98	30 x 30	0.95	30 x 30	1.00
220	22 x 50	1.10	22 x 50	1.10	25 x 45	1.12
220	25 x 40	1.10	25 x 45	1.10	30 x 35	1.12
220	30 x 30	1.10	30 x 35	1.10	35 x 30	1.12
270	25 x 45	1.22	25 x 50	1.22	25 x 60	1.18
270	30 x 35	1.22	30 x 40	1.22	30 x 40	1.28
270	35 x 30	1.22	35 x 30	1.22	35 x 35	1.28
330	25 x 50	1.44	25 x 60	1.41	30 x 50	1.45
330	30 x 40	1.44	30 x 45	1.45	35 x 40	1.45
330	35 x 30	1.44	35 x 35	1.45		
390	25 x 60	1.51	30 x 50	1.55	30 x 60	1.51
390	30 x 45	1.60	35 x 40	1.55	35 x 40	1.55
470	30 x 50	1.90	30 x 60	1.79	35 x 50	1.85
470	35 x 40	1.90	35 x 45	1.90		
560	30 x 60	2.10	35 x 50	2.15	35 x 60	1.91
680	35 x 60	2.27	35 x 60	2.27		