

GUS Snap-in Type, 105°C Down sized

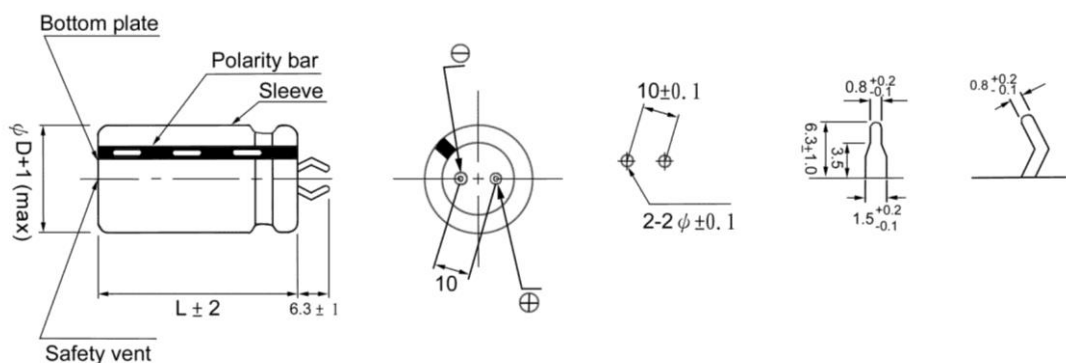
- Smaller size than GVS series
- Rated voltage range : 160 ~ 450V
- Capacitance range : 82 ~ 3,300 μ F
- Life guaranteed 3,000 hours/105°C.
- RoHS compliant/Non-solvent proof type



Specifications

Item	Performance Characteristics		
Operating Temperature range	-25 ~ +105°C		
Rated Voltage Range	160V ~ 450V		
Capacitance Range	82 ~ 3,300 μ F		
Capacitance Tolerance	$\pm 20\%$ / M (120Hz, 20°C)		
Leakage Current	$I \leq 3 \sqrt{CV}$ after 5 minutes application of rated voltage. C: Capacitance (μ F), V: Working voltage (v)		
Dissipation Factor (120 Hz, 20°C)	Rated voltage (V)	160 ~ 400	420 ~ 450
	Tan δ (max.)	0.15	0.20
Low Temperature Characteristics (120 Hz)	Impedance Ratio / Stability at Low Temperature		
	Rated voltage (V)	160 ~ 400	420 ~ 450
	Z (-25°C) / Z (20°C)	4	8
Load Life	After 3,000 hours application of WV & rated ripple current at 105°C, the tested capacitor shall meet the characteristics requirement mentioned below.		
	Capacitance change	Within $\pm 20\%$ of initial value	
	Tan δ	200% or less of initial specified value	
	Leakage current	Initial specified value or less	
Shelf Life	After stored at 105°C, no voltage applied for 1,000 hours, the capacitor shall meet the characteristics requirement below.		
	Capacitance change	Within $\pm 15\%$ of initial value	
	Tan δ	150% or less of initial specified value	
	Leakage current	Initial specified value or less	

Dimension (mm)



Frequency coefficient of allowable ripple current

Frequency (Hz)	50/60	120	300	1K	10K	50 K
160 ~ 250V	0.81	1.00	1.17	1.32	1.45	1.50
315 ~ 450V	0.77	1.00	1.16	1.30	1.41	1.43

• Standard Products Table

WV. DC Cap.(μ F)	160V		180V		200V	
	Size (D x L mm)	Ripple current Arms/105° 120 Hz	Size (D x L mm)	Ripple current Arms/105°C, 120 Hz	Size (D x L mm)	Ripple current Arms/105°C, 120 Hz
390			22 x 25	1.34	22 x 25	1.34
470	22 x 25	1.47			22 x 30	1.54
560			22 x 30	1.68	22 x 35	1.72
560			25 x 25	1.67	25 x 25	1.67
680	22 x 30	1.86	22 x 35	1.90	22 x 40	1.94
680	25 x 25	1.84			25 x 30	1.89
820	22 x 35	2.09	22 x 40	2.13	22 x 45	2.17
820	25 x 30	2.08	25 x 30	2.08	25 x 35	2.17
1000	22 x 40	2.35	22 x 45	2.40	22 x 50	2.45
1000	22 x 45	2.40	22 x 50	2.45	25 x 40	2.45
1000	25 x 35	2.40	25 x 40	2.45	30 x 30	2.52
1200	22 x 50	2.69	25 x 45	2.73	25 x 50	2.78
1200	25 x 40	2.68	30 x 35	2.83	30 x 35	2.83
1200	30 x 30	2.77	30 x 25	2.91		
1500	25 x 45	3.05	25 x 50	3.1	30 x 40	3.26
1500	30 x 35	3.17	30 x 40	3.26	35 x 35	3.36
1800	25 x 50	3.40	30 x 45	3.66	30 x 45	3.66
1800	30 x 40	3.57	35 x 35	3.68	30 x 50	3.72
2200	30 x 45	4.05	30 x 50	4.11	35 x 45	4.32
2200	35 x 35	4.07	35 x 40	4.22		
2700	30 x 50	4.56	35 x 45	4.78	35 x 50	4.88
2700	35 x 40	4.67	35 x 50	4.88		
2700	35 x 45	4.78				
3300	35 x 50	5.40				

WV. DC Cap.(μ F)	250V		315V		400V	
	Size (D x L mm)	Ripple current Arms/105° 120 Hz	Size (D x L mm)	Ripple current Arms/105°C, 120 Hz	Size (D x L mm)	Ripple current Arms/105°C, 120 Hz
120					22 x 25	0.77
150					22 x 30	0.90
180			22 x 25	0.95	22 x 35	1.02
180					25 x 25	0.99
220			22 x 30	1.10	22 x 40	1.15
220			25 x 25	1.10	25 x 30	1.13
270	22 x 25	1.11	22 x 35	1.24	22 x 45	1.29
270					25 x 35	1.30
330	22 x 30	1.29	22 x 40	1.40	22 x 50	1.47
330			25 x 30	1.38	25 x 40	1.47
390	22 x 35	1.44	22 x 50	1.59	25 x 50	1.66
390	25 x 25	1.40	25 x 35	1.57	30 x 35	1.61
470	22 x 40	1.61	25 x 40	1.76	30 x 40	1.82
470	25 x 30	1.57	30 x 30	1.73	35 x 30	1.85
560	22 x 45	1.79	25 x 50	1.99	30 x 50	2.07
560	25 x 35	1.79	30 x 35	1.93	35 x 35	2.05
680	22 x 50	2.02	30 x 40	2.19	35 x 45	2.40
680	25 x 40	2.02	35 x 35	2.26		
820	25 x 45	2.26	30 x 50	2.51	35 x 50	2.69
820	30 x 35	2.34	35 x 40	2.57		
1000	25 x 50	2.53	35 x 45	2.91		
1000	30 x 40	2.66				
1200	30 x 45	2.99	35 x 50	3.25		
1200	30 x 50	3.04				
1500	35 x 45	3.56				
1800	35 x 50	3.98				

• Standard Products Table

WV. DC Cap.(μ F)	420V		450V	
	Size (D x L mm)	Ripple current Arms/105°C, 120 Hz	Size (D x L mm)	Ripple current Arms/105°C, 120 Hz
82			22 x 25	0.64
100	22 x 25	0.70		
120	22 x 30	0.81	22 x 30	0.81
120	25 x 25	0.81	22 x 35	0.83
150	22 x 35	0.93	22 x 40	0.94
150			25 x 30	0.93
180	22 x 40	1.04	22 x 45	1.06
180	25 x 30	1.02	25 x 35	1.06
220	22 x 45	1.17	22 x 50	1.20
220	22 x 50	1.20	25 x 40	1.20
220	25 x 35	1.18	30 x 30	1.18
270	25 x 40	1.33	25 x 45	1.36
270	25 x 45	1.36	25 x 50	1.38
330	25 x 50	1.52	30 x 40	1.52
330	30 x 40	1.52		
390	30 x 45	1.70	30 x 45	1.70
390	35 x 35	1.71	30 x 50	1.73
470	30 x 50	1.90	35 x 40	1.95
470	35 x 40	1.95	35 x 45	1.99
560	35 x 45	2.17	35 x 50	2.22
680	35 x 50	2.45		