

GLS Snap-in Type, 105°C Long Life

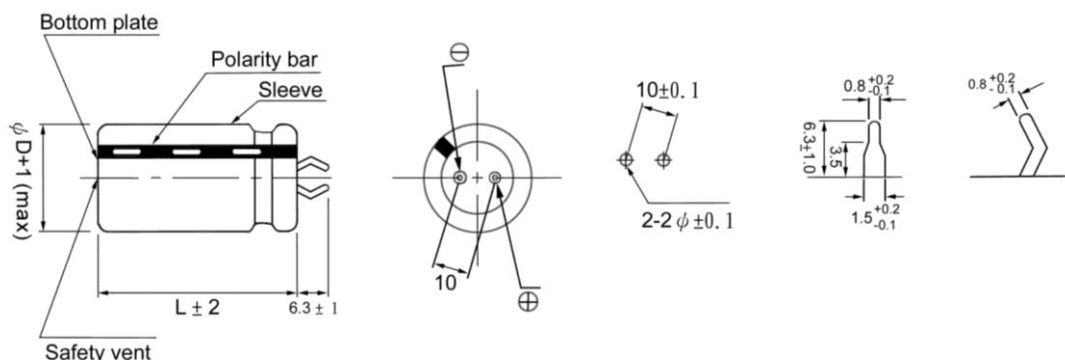


- High reliability for industrial power devices
- Rated voltage range : 16 ~ 450V
- Capacitance range : 100 ~ 39,000 μ F
- Life guaranteed 5,000 hours/105°C.
- RoHS compliant/Non-solvent proof type

Specifications

Item	Performance Characteristics									
Operating Temperature range	-40 + 105°C (16~100V), -25 + 105°C (160~450V)									
Rated Voltage Range	16V ~ 450V									
Capacitance Range	100 ~ 39,000 μ F									
Capacitance Tolerance	$\pm 20\%$ / M (120Hz, 20°C)									
Leakage Current	$I \leq 3 \sqrt{CV}$ after 5 minutes application of rated voltage. C: Capacitance (μ F), V: Working voltage (v)									
Dissipation Factor (120 Hz, 20°C)	Rated voltage (V)	16	25	35	50	63	100	160-400	420-450	120 Hz, 20°C
	Tan δ (max.)	0.45	0.30	0.25	0.20	0.15	0.15	0.15	0.20	
Low Temperature Characteristics (120 Hz)	Impedance Ratio / Stability at Low Temperature									
	Rated voltage (V)	16	25	35	50	63	100	160-400	420-450	
	Z (-25°C) / Z (20°C)	4	3	3	2	2	2	4	8	
	Z (-40°C) / Z (20°C)	15	10	8	6	6	5	-	-	
Load Life	After 5,000 hours application of WV & rated ripple current at 105°C, the tested capacitor shall meet the characteristics requirement mentioned below.									
	Capacitance change	Within $\pm 20\%$ of initial value								
	Tan δ	200% or less of initial specified value								
	Leakage current	Initial specified value or less								
Shelf Life	After stored at 105°C, no voltage applied for 1,000 hours, the capacitor shall meet the characteristics requirement below.									
	Capacitance change	Within $\pm 15\%$ of initial value								
	Tan δ	150% or less of initial specified value								
	Leakage current	Initial specified value or less								

Dimension (mm)



Frequency coefficient of allowable ripple current

Frequency (Hz)	50/60	120	300	1K	10K	50 K
16 ~ 50V	0.95	1.00	1.03	1.05	1.08	1.08
63 ~ 100V	0.95	1.00	1.07	1.13	1.19	1.20
160 ~ 250V	0.81	1.00	1.17	1.32	1.45	1.50
315 ~ 450V	0.77	1.00	1.16	1.30	1.41	1.43

• Standard Products Table

WV. DC Cap.(μ F)	16V		25V		35V	
	Size (D x L mm)	Ripple current Arms/105° 120 Hz	Size (D x L mm)	Ripple current Arms/105°C, 120 Hz	Size (D x L mm)	Ripple current Arms/105°C, 120 Hz
4700			22 x 30	1.51	22 x 40	1.78
5600	22 x 25	1.44	22 x 35	1.70	25 x 35	1.98
6800	22 x 30	1.66	25 x 30	1.87	25 x 40	2.24
8200	22 x 35	1.87	25 x 35	2.14	30 x 35	2.50
10000	22 x 40	2.12	22 x 50	2.45	30 x 40	2.86
10000	25 x 30	2.07	25 x 40	2.43	35 x 35	2.88
12000	25 x 35	2.37	30 x 35	2.70	35 x 40	3.30
15000	25 x 40	2.71	30 x 40	3.13		
18000	30 x 35	3.02	35 x 40	3.61	35 x 50	4.29
22000	30 x 40	3.46				
27000			35 x 50	4.70		
39000	35 x 50	5.16				

WV. DC Cap.(μ F)	50V		63V		100V	
	Size (D x L mm)	Ripple current Arms/105° 120 Hz	Size (D x L mm)	Ripple current Arms/105°C, 120 Hz	Size (D x L mm)	Ripple current Arms/105°C, 120 Hz
680					22 x 35	1.12
820					25 x 30	1.23
1000			22 x 25	1.00	25 x 35	1.41
1200			22 x 30	1.15	25 x 40	1.59
1500	22 x 25	1.02	22 x 35	1.32	25 x 50	1.86
1800	22 x 30	1.17	22 x 40	1.49	35 x 35	2.07
2200	22 x 35	1.33	25 x 35	1.67	30 x 50	2.40
2700	22 x 40	1.51	25 x 40	1.90	35 x 50	2.81
3300	25 x 35	1.70	25 x 50	2.20		
3900	25 x 40	1.89	30 x 40	2.41		
4700	30 x 35	2.11	35 x 40	2.78		
5600	30 x 40	2.39				
6800	30 x 50	2.79	35 x 50	3.55		
10000	35 x 50	3.57				

WV. DC Cap.(μ F)	160V		180V		200V	
	Size (D x L mm)	Ripple current Arms/105° 120 Hz	Size (D x L mm)	Ripple current Arms/105°C, 120 Hz	Size (D x L mm)	Ripple current Arms/105°C, 120 Hz
270					25 x 25	1.10
330			22 x 25	1.21		
390	22 x 25	1.32			22 x 30	1.38
470			22 x 30	1.52	22 x 35	1.55
560	22 x 30	1.66	22 x 35	1.70	22 x 40	1.73
560	25 x 25	1.68	30 x 25	1.78	25 x 30	1.71
680	22 x 35	1.87	22 x 40	1.91	22 x 45	1.81
680	25 x 30	1.88	25 x 30	1.88	25 x 35	1.87
820	22 x 40	2.09	22 x 45	1.99	22 x 50	2.18
820			25 x 35	2.16	25 x 40	2.09
820			30 x 30	2.17	30 x 35	2.22
1000	22 x 50	2.41	22 x 50	2.25	25 x 50	2.39
1000	25 x 35	2.38	25 x 45	2.47	30 x 40	2.53
1000	30 x 30	2.40	30 x 35	2.46	35 x 30	2.61
1200	25 x 45	2.71	25 x 50	2.75	30 x 50	2.88
1200	30 x 35	2.69	30 x 40	2.77	35 x 35	2.88
1200	30 x 40	2.77	35 x 30	2.86		
1500	25 x 50	3.08	30 x 50	3.22	35 x 40	3.34
1500	30 x 45	3.17	35 x 35	3.22		
1500	35 x 35	3.22				
1800	30 x 50	3.53	35 x 45	3.74	35 x 50	3.82
1800	35 x 40	3.66				
2200	35 x 45	4.14	35 x 50	4.22		
2700	35 x 50	4.68				

• Standard Products Table

WV. DC Cap.(µF)	250V		315V		350V	
	Size (D x L mm)	Ripple current Arms/105° 120 Hz	Size (D x L mm)	Ripple current Arms/105°C, 120 Hz	Size (D x L mm)	Ripple current Arms/105°C, 120 Hz
120					22 x 25	0.72
150			22 x 25	0.80	22 x 30	0.84
180			22 x 30	0.92	25 x 25	0.94
220	22 x 25	1.01	22 x 35	1.04	22 x 40	1.06
220			30 x 25	1.17	25 x 30	1.07
270	22 x 30	1.20	22 x 40	1.18	22 x 45	1.20
270			25 x 30	1.19	25 x 35	1.24
330	25 x 25	1.32	22 x 45	1.33	22 x 50	1.36
330			25 x 35	1.37	25 x 40	1.39
330			30 x 30	1.40	30 x 35	1.43
390	25 x 35	1.44	22 x 50	1.48	25 x 45	1.55
390	25 x 30	1.43	25 x 40	1.52	30 x 40	1.60
470	22 x 40	1.62	25 x 45	1.70	25 x 50	1.72
470			30 x 35	1.71	30 x 45	1.81
560	22 x 50	1.84	25 x 50	1.88	30 x 50	2.00
560	25 x 35	1.78	30 x 45	1.97	35 x 40	2.07
680	25 x 45	2.04	30 x 50	2.21	35 x 45	2.34
680	30 x 35	2.06	35 x 40	2.29		
820	25 x 50	2.28	35 x 45	2.57	35 x 50	2.62
820	30 x 45	2.39				
1000	30 x 50	2.68	35 x 50	2.89		
1200	35 x 45	3.05				
1500	35 x 50	3.49				

WV. DC Cap.(µF)	400V		420V		450V	
	Size (D x L mm)	Ripple current Arms/105° 120 Hz	Size (D x L mm)	Ripple current Arms/105°C, 120 Hz	Size (D x L mm)	Ripple current Arms/105°C, 120 Hz
100	22 x 25	0.66	22 x 25	0.66	22 x 30	0.69
100					25 x 25	0.70
120	22 x 30	0.75	22 x 30	0.75	22 x 35	0.77
120			25 x 25	0.77		
150	22 x 35	0.86	25 x 35	0.86	22 x 45	0.90
150	25 x 25	0.86			25 x 35	0.92
180	22 x 40	0.96	22 x 45	0.98	22 x 50	1.01
180	25 x 30	0.97	25 x 35	1.01	25 x 40	1.03
180	30 x 25	1.02			30 x 30	1.03
220	22 x 45	1.09	22 x 50	1.11	25 x 45	1.16
220	25 x 35	1.12	25 x 40	1.14	30 x 35	1.17
220	35 x 25	1.22	30 x 30	1.14	35 x 30	1.24
270	22 x 50	1.23	25 x 45	1.29	25 x 50	1.31
270	25 x 45	1.29	30 x 35	1.30	30 x 40	1.33
330	25 x 50	1.44	25 x 50	1.44	30 x 45	1.51
330	30 x 35	1.43	30 x 40	1.48		
330	35 x 30	1.52	35 x 35	1.54		
390	30 x 40	1.60	30 x 45	1.64	30 x 50	1.67
390	35 x 35	1.67	35 x 40	1.73	35 x 45	1.77
470	30 x 50	1.84	30 x 50	1.84	35 x 50	1.98
470	35 x 40	1.90	35 x 45	1.94		
560	35 x 45	2.12	35 x 50	2.17		
680	35 x 50	2.39				