

GHS Snap-in Type, 105°C Standard

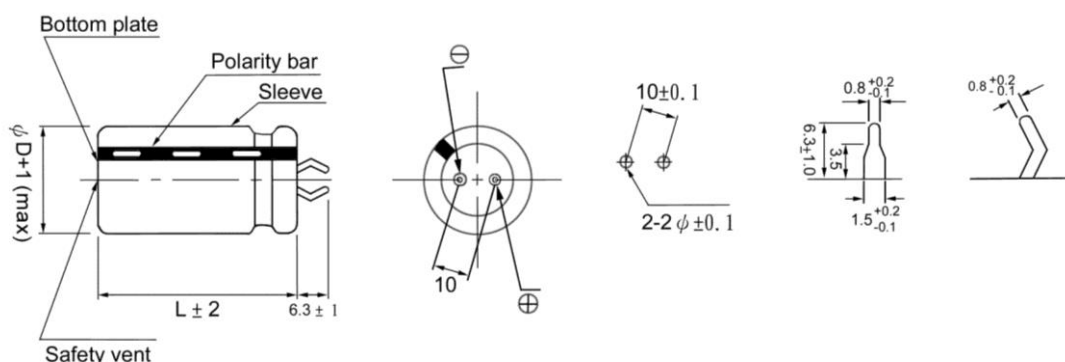
- Rated voltage range : 16 ~ 450V
- Capacitance range : 56 ~ 47,000 μ F
- Life guaranteed 2,000 hours/105°C
- Suitable for general power unit application
- RoHS compliant/Non-solvent proof type



Specifications

Item	Performance Characteristics										
Operating Temperature range	-40 + 105°C (16~250V), -25 + 105°C (315~450V)										
Rated Voltage Range	16V ~ 450V										
Capacitance Range	56 ~ 56,000 μ F										
Capacitance Tolerance	$\pm 20\%$ / M (120Hz, 20°C)										
Leakage Current	$I \leq 3 \sqrt{CV}$ after 5 minutes application of rated voltage. C: Capacitance (μ F), V: Working voltage (v)										
Dissipation Factor (120 Hz, 20°C)	Rated voltage (V)	16	25	35	50	63	80-100	160-250	315-450	120 Hz, 20°C	
	Tan δ (max.)	0.50	0.40	0.35	0.30	0.25	0.20	0.15	0.25		
Low Temperature Characteristics (120 Hz)	Impedance Ratio / Stability at Low Temperature										
	Rated voltage (V)	16 ~ 100			160 ~ 250			315 ~ 450			
	Z (-25°C) / Z (20°C)	4			3			8			
	Z (-40°C) / Z (20°C)	15			12			-			
Load Life	After 2,000 hours application of WV & rated ripple current at 105°C, the tested capacitor shall meet the characteristics requirement mentioned below.										
	Capacitance change	Within $\pm 20\%$ of initial value									
	Tan δ	200% or less of initial specified value									
	Leakage current	Initial specified value or less									
Shelf Life	After stored at 105°C, no voltage applied for 1,000 hours, the capacitor shall meet the characteristics requirement below.										
	Capacitance change	Within $\pm 15\%$ of initial value									
	Tan δ	150% or less of initial specified value									
	Leakage current	Initial specified value or less									

Dimension (mm)



Frequency coefficient of allowable ripple current

Frequency (Hz)	50/60	120	300	1K	10K	50K
16 ~ 50V	0.95	1.00	1.03	1.05	1.08	1.08
63 ~ 100V	0.95	1.00	1.07	1.13	1.19	1.20
160 ~ 250V	0.81	1.00	1.17	1.32	1.45	1.50
315 ~ 450V	0.77	1.00	1.16	1.30	1.41	1.43

• Standard Products Table

WV. DC Cap.(μF)	16V		25V		35V	
	Size (D x L mm)	Ripple current Arms/105° 120 Hz	Size (D x L mm)	Ripple current Arms/105°C, 120 Hz	Size (D x L mm)	Ripple current Arms/105°C, 120 Hz
3300					22 x 25	1.43
3900					22 x 30	1.65
4700			22 x 25	1.55	22 x 30	1.89
4700					25 x 25	1.78
5600			22 x 30	1.76	22 x 35	2.02
5600					25 x 30	2.04
6800	22 x 25	1.60	22 x 30	1.91	22 x 40	2.28
6800			25 x 25	1.91	25 x 35	2.31
8200	22 x 30	1.85	22 x 35	2.14	22 x 50	2.67
8200			25 x 30	2.16	25 x 40	2.60
10000	22 x 30	2.28	22 x 40	2.40	25 x 45	2.92
10000	25 x 25	1.99	25 x 35	2.44	30 x 35	2.92
12000	22 x 35	2.28	22 x 45	2.69	25 x 50	3.26
12000	25 x 30	2.30	25 x 40	2.74	30 x 40	3.28
15000	22 x 40	2.64	25 x 45	3.15	30 x 45	3.74
15000	25 x 35	2.68	30 x 35	3.13	35 x 35	3.69
18000	22 x 45	2.98	25 x 50	3.54	35 x 40	4.16
18000	25 x 40	3.04	30 x 40	3.54		
22000	25 x 45	3.40	30 x 45	4.24	35 x 50	4.92
22000	30 x 35	3.39	35 x 35	3.96		
27000	30 x 40	3.83	35 x 45	4.75		
33000	30 x 45	4.30	35 x 50	5.39		
33000	35 x 35	4.24				
39000	30 x 50	4.74				
47000	35 x 45	5.27				

WV. DC Cap.(μF)	50V		63V		80V	
	Size (D x L mm)	Ripple current Arms/105° 120 Hz	Size (D x L mm)	Ripple current Arms/105°C, 120 Hz	Size (D x L mm)	Ripple current Arms/105°C, 120 Hz
1000					22 x 30	1.29
1000					25 x 25	1.29
1200			22 x 25	1.25	22 x 30	1.39
1200					25 x 25	1.39
1500			22 x 30	1.44	22 x 35	1.61
1500			25 x 25	1.44	25 x 30	1.62
1800			22 x 30	1.52	22 x 40	1.83
1800			25 x 25	1.52	25 x 35	1.86
2200			22 x 35	1.73	22 x 45	2.09
2200			25 x 30	1.75	25 x 35	2.01
2700	22 x 30	1.70	22 x 40	1.97	25 x 45	2.43
2700	25 x 25	1.70	25 x 35	1.99	30 x 35	2.43
3300	22 x 35	1.98	22 x 50	2.32	25 x 50	2.76
3300	25 x 30	2.00	25 x 40	2.27	30 x 40	2.78
3900	22 x 40	2.25	25 x 45	2.54	30 x 45	3.12
3900	25 x 35	2.28	30 x 35	2.55	33 x 35	3.07
4700	22 x 45	2.56	25 x 50	2.88	30 x 50	3.52
4700	25 x 40	2.61	30 x 40	2.90	35 x 40	3.50
5600	22 x 50	2.89	30 x 45	3.28	35 x 45	3.87
5600	25 x 40	2.81	35 x 35	3.24		
6800	35 x 50	3.37	30 x 50	3.73	35 x 50	4.19
6800	30 x 40	3.39	35 x 40	3.71		
8200	30 x 45	3.71	35 x 45	4.16		
8200	35 x 35	3.66				
10000	30 x 50	4.09	35 x 50	4.69		
10000	35 x 40	4.07				
12000	35 x 45	4.50				

• Standard Products Table

WV. DC Cap.(µF)	100V		160V		180V	
	Size (D x L mm)	Ripple current Arms/105° 120 Hz	Size (D x L mm)	Ripple current Arms/105°C, 120 Hz	Size (D x L mm)	Ripple current Arms/105°C, 120 Hz
270			22 x 25	0.90	22 x 25	0.90
330			25 x 25	1.00	22 x 30	1.05
390			22 x 30	1.15	22 x 30	1.20
470			22 x 35	1.30	22 x 35	1.30
470			25 x 25	1.30	25 x 30	1.30
560			22 x 40	1.45	22 x 40	1.40
560			25 x 30	1.45	25 x 35	1.40
680			22 x 45	1.65	22 x 45	1.65
680			25 x 35	1.65	25 x 40	1.65
820			22 x 50	1.80	22 x 50	1.85
820			25 x 40	1.80	25 x 45	1.85
820			30 x 30	1.80	30 x 35	1.85
1000	22 x 35	1.54	25 x 45	2.00	25 x 50	2.05
1000	25 x 30	1.56	30 x 35	2.00	30 x 40	2.05
1200	22 x 40	1.74	25 x 50	2.30	30 x 45	2.30
1200	25 x 35	1.76	30 x 40	2.30	35 x 35	2.30
1500	22 x 45	1.99	30 x 45	2.65	30 x 50	2.70
1500	25 x 40	2.03	35 x 35	2.65	35 x 40	2.70
1800	25 x 45	2.28	30 x 50	3.05	35 x 45	3.15
1800	30 x 35	2.27	35 x 45	3.05		
2200	25 x 50	2.57	35 x 50	3.50	35 x 50	3.60
2200	30 x 40	2.59				
2700	30 x 45	2.94				
3300	30 x 50	3.32				
3300	35 x 40	3.31				
3900	35 x 45	3.69				
4700	35 x 50	4.14				

WV. DC Cap.(µF)	200V		250V		315V	
	Size (D x L mm)	Ripple current Arms/105° 120 Hz	Size (D x L mm)	Ripple current Arms/105°C, 120 Hz	Size (D x L mm)	Ripple current Arms/105°C, 120 Hz
82					22 x 25	0.46
100					22 x 30	0.55
120					22 x 30	0.60
150			22 x 25	0.65	25 x 30	0.70
180			22 x 25	0.75	22 x 40	0.83
220			22 x 30	0.85	22 x 45	0.90
220			25 x 25	0.85	25 x 35	0.90
270	22 x 25	0.90	22 x 35	1.00	22 x 50	1.00
270			25 x 30	1.00	25 x 40	1.00
330	22 x 30	1.05	22 x 40	1.10	25 x 50	1.25
330	25 x 25	1.05	25 x 30	1.10	30 x 35	1.25
390	22 x 35	1.25	22 x 45	1.25	30 x 40	1.35
390	25 x 30	1.25	25 x 40	1.25	35 x 35	1.35
470	22 x 40	1.35	22 x 50	1.30	30 x 50	1.45
470	25 x 30	1.35	25 x 40	1.30	35 x 40	1.45
560	22 x 45	1.50	25 x 50	1.55	35 x 45	1.65
560	25 x 35	1.50	30 x 35	1.55		
680	22 x 50	1.70	30 x 45	1.80	35 x 50	1.90
680	25 x 45	1.70	35 x 35	1.80		
820	25 x 50	1.90	35 x 40	1.95		
820	30 x 35	1.90				
1000	30 x 45	2.15	35 x 45	2.30		
1000	35 x 35	2.15				
1200	30 x 50	2.30	35 x 50	2.65		
1500	35 x 45	2.75				
1800	35 x 50	3.25				

• Standard Products Table

WV. DC Cap.(μ F)	350V		400V		450V	
	Size (D x L mm)	Ripple current Arms/105° 120 Hz	Size (D x L mm)	Ripple current Arms/105°C, 120 Hz	Size (D x L mm)	Ripple current Arms/105°C, 120 Hz
56					22 x 25	0.41
68	22 x 25	0.51	22 x 25	0.40	22 x 30	0.48
82	22 x 25	0.56	22 x 30	0.50	22 x 35	0.56
100	22 x 30	0.69	22 x 35	0.55	22 x 40	0.64
100	25 x 25	0.69	25 x 30	0.55	25 x 30	0.61
120	22 x 35	0.75	22 x 40	0.60	22 x 45	0.72
120	25 x 25	0.75	25 x 30	0.60	25 x 35	0.71
150	22 x 40	0.82	22 x 45	0.70	22 x 50	0.83
150	25 x 30	0.83	25 x 35	0.70	25 x 40	0.81
180	22 x 45	0.92	22 x 50	0.85	25 x 45	0.92
180	25 x 35	0.92	25 x 40	0.85	30 x 35	0.91
220	22 x 50	1.05	25 x 45	0.90	25 x 50	1.05
220	25 x 40	1.04	30 x 35	0.90	30 x 40	1.05
220	30 x 30	1.02	35 x 30	0.90		
270	25 x 45	1.18	25 x 50	1.00	30 x 45	1.21
270	30 x 35	1.17	30 x 40	1.00	35 x 35	1.19
330	30 x 40	1.34	30 x 45	1.25	30 x 50	1.38
330	35 x 30	1.33	35 x 35	1.25	35 x 40	1.38
390	30 x 45	1.51	30 x 50	1.35	35 x 45	1.55
390	35 x 35	1.47	35 x 40	1.35		
470	35 x 40	1.69	35 x 45	1.45	35 x 50	1.74
560	35 x 45	1.90	35 x 50	1.65		