

GES Snap-in Type, 85°C Long Life

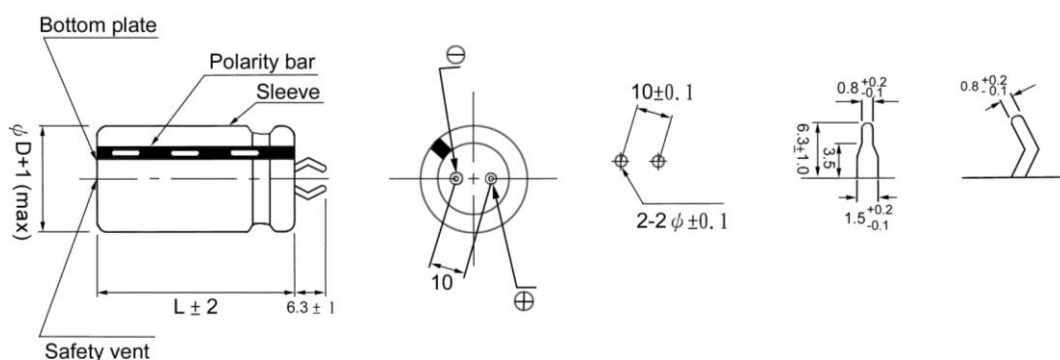
- Smaller size than GKS & Life longer
- Rated voltage range : 160 ~ 450V
- Capacitance range : 82 ~ 3,300 μ F
- Life guaranteed 3,000 hours/85°C.
- RoHS compliant/Non-solvent proof type



• Specifications

Item	Performance Characteristics			
Operating Temperature range	-25 ~ +85°C			
Rated Voltage Range	160V ~ 450V			
Capacitance Range	82 ~ 3,300 μ F			
Capacitance Tolerance	$\pm 20\%$ / M (120Hz, 20°C)			
Leakage Current	$I \leq 3 \sqrt{CV}$ after 5 minutes application of rated voltage. C: Capacitance (μ F), V: Working voltage (v)			
Dissipation Factor (120 Hz, 20°C)	Rated voltage (V)	160 ~ 400V	420 ~ 450V	120 Hz, 20°C
	Tan δ (max.)	0.15	0.20	
Low Temperature Characteristics (120 Hz)	Impedance Ratio / Stability at Low Temperature			
	Rated voltage (V)	160 ~ 400V	420~450V	
	Z (-25°C) / Z (20°C)	4	8	
Load Life	After 3,000 hours application of WV & rated ripple current at 85°C, the tested capacitor shall meet the characteristics requirement mentioned below.			
	Capacitance change	Within $\pm 20\%$ of initial value		
	Tan δ	200% or less of initial specified value		
	Leakage current	Initial specified value or less		
Shelf Life	After stored at 85°C, no voltage applied for 1,000 hours, the capacitor shall meet the characteristics requirement below.			
	Capacitance change	Within $\pm 15\%$ of initial value		
	Tan δ	150% or less of initial specified value		
	Leakage current	Initial specified value or less		

• Dimension (mm)



• Frequency coefficient of allowable ripple current

Frequency (Hz)	50/60	120	300	1K	10K	50 K
160 ~ 250V	0.81	1.00	1.17	1.32	1.45	1.50
315 ~ 450V	0.77	1.00	1.16	1.30	1.41	1.43

• Standard Products Table

WV. DC Cap.(μ F)	160V		180V		200V	
	Size (D x L mm)	Ripple current Arms/85° 120 Hz	Size (D x L mm)	Ripple current Arms/85°C, 120 Hz	Size (D x L mm)	Ripple current Arms/85°C, 120 Hz
270					22 x 25	1.37
330			22 x 25	1.77	22 x 25	1.51
390	22 x 25	1.63	22 x 25	1.84	22 x 30	1.73
470	22 x 30	1.86	22 x 30	1.91	22 x 30	1.97
470	25 x 25	1.86	25 x 25	2.08	25 x 25	1.95
560	22 x 30	2.15	22 x 35	2.25	22 x 35	2.18
560	25 x 25	2.15	25 x 25	2.25	25 x 30	2.15
680	22 x 35	2.35	22 x 35	2.48	22 x 40	2.48
680	25 x 30	2.33	25 x 30	2.50	25 x 30	2.48
820	22 x 40	2.68	22 x 40	2.86	22 x 45	2.81
820	25 x 30	2.65	25 x 35	2.75	25 x 35	2.79
1000	22 x 45	3.02	22 x 50	3.10	22 x 50	3.28
1000	25 x 35	3.00	25 x 40	3.06	25 x 40	3.28
1000	30 x 30	2.96	30 x 30	3.10	30 x 35	3.15
1200	22 x 50	3.47	25 x 45	3.63	25 x 45	3.61
1200	25 x 40	3.43	30 x 35	3.55	30 x 35	3.61
1500	25 x 50	3.96	30 x 40	4.10	30 x 45	4.13
1500	30 x 35	3.96	35 x 35	4.02	35 x 35	4.06
1800	30 x 40	4.31	30 x 45	4.55	30 x 50	4.60
1800	35 x 35	4.28	35 x 35	4.54	35 x 40	4.59
2200	30 x 50	4.96	35 x 40	4.83	35 x 45	5.25
2200	35 x 40	4.96				
2700	35 x 45	5.57	35 x 50	5.30		
3300	35 x 50	6.21				

WV. DC Cap.(μ F)	250V		315V		350V	
	Size (D x L mm)	Ripple current Arms/85° 120 Hz	Size (D x L mm)	Ripple current Arms/85°C, 120 Hz	Size (D x L mm)	Ripple current Arms/85°C, 120 Hz
120					22x25	1.04
150			22 x 25	1.06	22x30	1.20
150					25x25	1.22
180			22 x 30	1.29	22x30	1.34
180			25 x 25	1.38	25x25	1.37
220	22 x 25	1.24	22 x 30	1.41	22x35	1.47
220			25 x 25	1.47	25x30	1.53
270	22 x 25	1.50	22 x 35	1.68	22x40	1.70
270			25 x 30	1.70	25x35	1.73
330	22 x 30	1.66	22 x 40	1.91	22x45	1.87
330	25 x 25	1.61	25 x 35	1.94	25x35	1.97
390	22 x 35	1.88	22 x 45	2.07	25x40	2.14
390	25 x 30	1.88	25 x 40	2.11	30x35	2.23
390	30 x 25	1.86	30 x 30	2.15	35x30	2.30
470	22 x 35	2.15	25 x 45	2.31	25x50	2.55
470	25 x 35	2.15	30 x 35	2.38	30x35	2.53
560	22 x 40	2.48	25 x 50	2.46	30x40	2.73
560	25 x 35	2.35	30 x 35	2.63	35x35	2.75
680	22 x 50	2.61	30 x 45	2.82	30x50	3.15
680	25 x 40	2.67	35 x 35	3.05	35x40	3.15
820	25 x 45	3.01	30 x 50	3.28	35x45	3.47
820	30 x 35	2.98	35 x 40	3.45		
1000	30 x 40	3.56	35 x 45	3.59	35x50	3.60
1000	35 x 35	3.48				
1200	30 x 45	3.99				
1200	35 x 35	3.84				
1500	35 x 40	4.33				
1800	35 x 50	4.54				

• Standard Products Table

WV. DC Cap.(μ F)	400V		420V		450V	
	Size (D x L mm)	Ripple current Arms/85° 120 Hz	Size (D x L mm)	Ripple current Arms/85°C, 120 Hz	Size (D x L mm)	Ripple current Arms/85°C, 120 Hz
82	22 x 25	0.84	22 x 25	0.85	22 x 25	0.86
100	22 x 25	0.99	22 x 30	0.97	22 x 30	0.95
100			25 x 25	0.98	25 x 25	0.97
120	22 x 30	1.09	22 x 30	1.07	22 x 35	1.07
120	25 x 25	1.13	25 x 25	1.08	25 x 30	1.09
150	22 x 35	1.24	22 x 35	1.21	22 x 40	1.18
150	25 x 30	1.27	25 x 30	1.26	25 x 30	1.25
180	22 x 40	1.41	22 x 40	1.33	22 x 45	1.32
180	25 x 30	1.44	25 x 35	1.42	25 x 35	1.40
220	22 x 45	1.58	22 x 45	1.55	22 x 50	1.48
220	25 x 35	1.64	25 x 35	1.58	25 x 40	1.59
220	30 x 30	1.66	30 x 30	1.65	30 x 30	1.64
270	22 x 50	1.65	25 x 40	1.74	25 x 45	1.73
270	25 x 40	1.79	30 x 35	1.90	30 x 35	1.89
270	30 x 30	1.82	35 x 30	1.94	35 x 30	1.90
330	25 x 45	2.00	25 x 50	2.20	25 x 50	2.12
330	30 x 35	2.05	30 x 35	1.96	30 x 40	2.12
330	35 x 30	2.05	35 x 35	2.17	35 x 35	2.15
390	25 x 50	2.12	30 x 40	2.22	30 x 45	2.35
390	30 x 40	2.26	35 x 35	2.27	35 x 40	2.38
470	30 x 45	2.51	30 x 45	2.50	30 x 50	2.65
470	35 x 35	2.54	35 x 40	2.61	35 x 45	2.68
560	30 x 50	2.85	35 x 45	2.95	35 x 50	2.88
680	35 x 50	3.10	35 x 50	3.15		